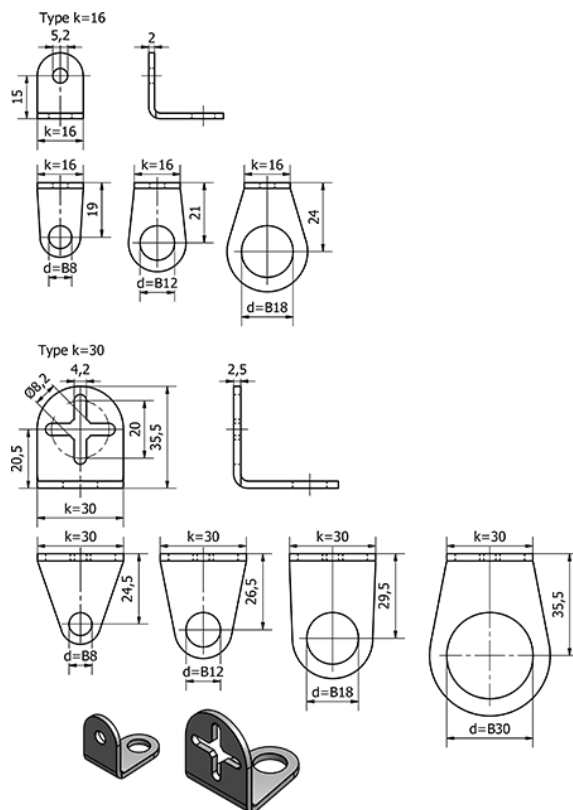


Article number: 20479B3030

Description: E+G Sensor holders - GN 479-B30-30

## Measures



d = 30

k = 30

Weight (g) = 36